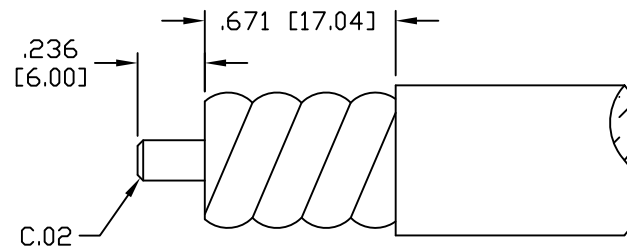
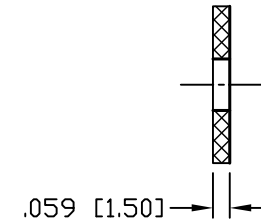
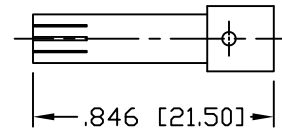
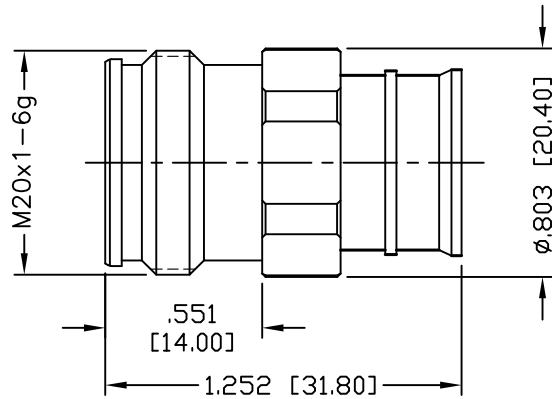


PART NO.		<b>RFD-43FDS-H4</b>		
REV	DESCRIPTION	DWN	DATE	APPROVED
A	UPDATED DWG FORMAT	CZS	05/25/23	JDMc



**SPECIFICATIONS:**

INTERFACE: IEC61169-54  
 IMPEDANCE: 50 Ohms  
 FREQUENCY RANGE: 0-6 GHz  
 VSWR: <1.15:1 THRU 3 GHz  
 PIM: ≤-160 dBc  
 DIELECTRIC WITHSTANDING VOLTAGE: 750V/AC  
 INSULATION RESISTANCE: 10000 MΩ  
 TEMPERATURE RANGE: -40°C TO 155°C  
 MECHANICAL DURABILITY: 500 CYCLES  
 FOR FSJ4-50B, SCF12-50J & SPO-500 CABLE

5	GROUND RING	1	RUBBER	CuSnZn
4	SPACER	1	PTFE	NATURAL
3	CONTACT	1	BRASS	SILVER
2	INSULATOR	1	PTFE	NATURAL
1	BODY	1	BRASS	CuSnZn
#	DESCRIPTION	QTY	MATERIAL	FINISH

CUSTOMER OUTLINE DRAWING	
ALL DIMENSIONS ARE REFERENCE ONLY	
UNLESS OTHERWISE SPECIFIED: DIMENSIONS ARE IN INCHES AND [MILLIMETERS]	
DRAWN C. ZUNIGA	05/25/23
CHECKED	
ORJ DRAWN C. ZUNIGA	10/04/19

**RoHS COMPLIANT**

PROPRIETARY AND CONFIDENTIAL

THIS DRAWING CONTAINS INFORMATION PROPRIETARY TO RF INDUSTRIES, ANY UNAUTHORIZED USE OF THIS DRAWING IS EXPRESSLY PROHIBITED WITHOUT WRITTEN PERMISSION FROM RF INDUSTRIES. ANY VIOLATION IS PUNISHABLE UNDER U.S. COPYRIGHT LAWS.

**RFconnectors** DIVISION OF RF INDUSTRIES, LTD. SAN DIEGO, CALIFORNIA  
 RFINDUSTRIES.COM (858) 549-6340 RFI@RFINDUSTRIES.COM

**4.3-10 JACK, SOLDER**  
 FOR 1/2" SUPERFLEX CABLE

CABLE GROUP H4	DWG # <b>RFD-43FDS-H4</b>	REVISION A
FORMAT A	SCALE NTS	CONTROL # 000000
		SHEET 1 OF 1