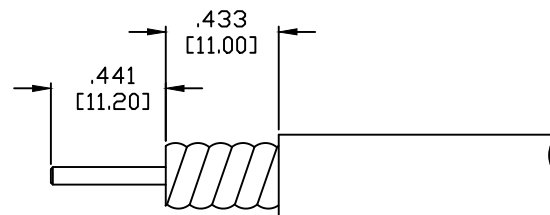
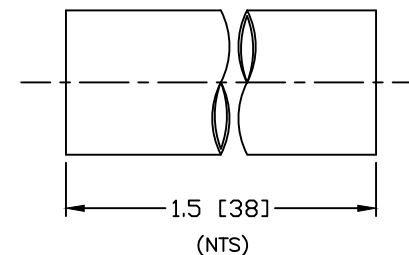
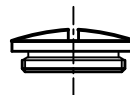
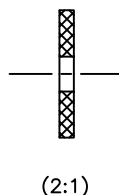
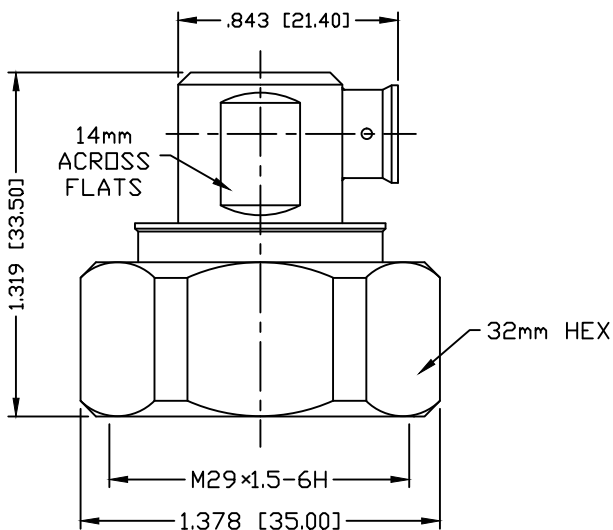


PART NO.

**RFD-1610-HPL**

REV	DESCRIPTION	DWN	DATE	APPROVED
A	CORRECT CONNECTOR'S IMAGE	CZS	08/25/16	JDMc



RECOMMENDED STRIPPING DIMENSIONS

SPECIFICATIONS:

INTERFACE: IEC61169-4

IMPEDANCE: 50 Ohms

FREQUENCY RANGE: 0-3 GHz

VSWR: &lt;1.15:1

DIELECTRIC WITHSTANDING VOLTAGE: 1500V/AC

PIM: ≤-155 dBc

INSULATION RESISTANCE: 5000MΩ

TEMPERATURE RANGE: -40°C TO 155°C

MECHANICAL DURABILITY: 500 cycles

10	HEX SHELL	1	BRASS	WHITE BRONZE
9	SOLDER FERRULE	1	BRASS	WHITE BRONZE
8	REAR INSULATOR	1	PTFE	----
7	SCREW CAP	1	BRASS	WHITE BRONZE
6	GROUND RING	1	BRASS	WHITE BRONZE
5	O-RING	1	RUBBER	----
4	SOLDER CONTACT	1	BRASS	SILVER
3	PIN	1	BRASS	SILVER
2	BEAD	1	PTFE	----
1	BODY	1	BRASS	WHITE BRONZE
#	DESCRIPTION	QTY	MATERIAL	FINISH

CUSTOMER  
OUTLINE DRAWINGALL DIMENSIONS  
ARE REFERENCE ONLYUNLESS OTHERWISE SPECIFIED:  
DIMENSIONS ARE IN INCHES  
AND [MILLIMETERS]DRAWN  
C. ZUNIGA 08/25/16  
CHECKEDORJ DRAWN  
C. ZUNIGA 03/23/15**RoHS  
COMPLIANT**PROPRIETARY AND CONFIDENTIAL  
THIS DRAWING CONTAINS  
INFORMATION PROPRIETARY TO  
RF INDUSTRIES, ANY  
UNAUTHORIZED USE OF THIS  
DRAWING IS EXPRESSLY  
PROHIBITED WITHOUT WRITTEN  
PERMISSION FROM RF  
INDUSTRIES. ANY VIOLATION IS  
PUNISHABLE UNDER U.S.  
COPYRIGHT LAWS.

**RFconnectors**  
DIVISION OF RF INDUSTRIES, LTD.

7610 MIRAMAR RD.  
SAN DIEGO, CA 92126  
(858) 549-6340  
(858) 549-6345 FAX

**DIN PLUG, SOLDER**  
RIGHT ANGLE FOR SPP-250-LLPL

SIZE	CABLE GROUP	DWG NO.	REV
A	N/A	<b>RFD-1610-HPL</b>	A
SCALE:	ENGINEERING ID:	SHEET 1 OF 1	
NTS	000000		