

# DIRECT AIR COOLING (DAC): WALL MOUNTABLE SYSTEM

PART # AF000401

Revision: 2.4 | June 2023



## TELECOM SHELTER COOLING SYSTEM



### FEATURES

- Patented air-cooling system provides total environmental control for telecom shelters
- Dual, variable speed, and high efficiency blowers apply positive pressure to the shelter
- Includes a Deep Media Filter (MERV 16) (MERV 14 is available for non-coastal environments)
- Fits HVAC return or supply opening (3 to 6 ton)
- Regulated by the Smart Controller (part # AF000400) that controls up to 3 DAC fans and 2 HVAC units
- Reduces compressor cycling, extends the life of HVACs and reduces HVAC maintenance costs

### BENEFITS

- -48VDC Powered; cools on backed up power during power outages
- Reduces electricity spend for site cooling
- Blocked filter alarm sensor
- Designed for ease of installation (no cranes required)

### SPECIFICATIONS

Dimensions (Wall Unit), in	37 W x 40 H x 22.5 D
Dimensions (Exhaust), in	16 W x 30 H x 3 D
Weight (Wall DAC Unit) <sup>1</sup> , lbs	150
Colors (Powder Coat)	Grey (others on request)
Equipment heat-load, kW	Up to 12
Operating Temperature Range, F	-20 to 140
Storage Temperature Range, F	-40 to 158

<sup>1</sup> Does not include exhaust kit or pallet weight

# DIRECT AIR COOLING (DAC): WALL MOUNTABLE SYSTEM

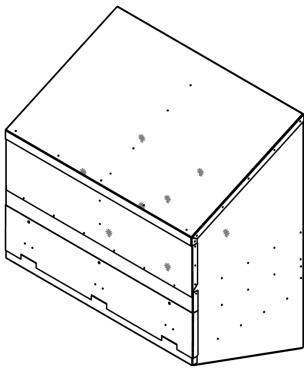
PART # AF000401

Revision: 2.4 | June 2023

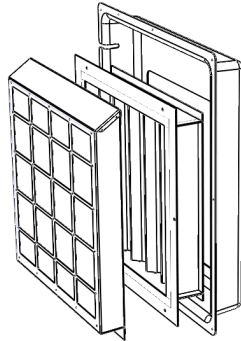


## DIMENSIONS & EQUIPMENT SETUP OPTIONS

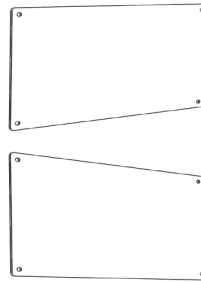
### KIT COMPONENTS



WALL INTAKE UNIT



DOOR EXHAUST

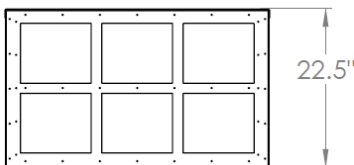
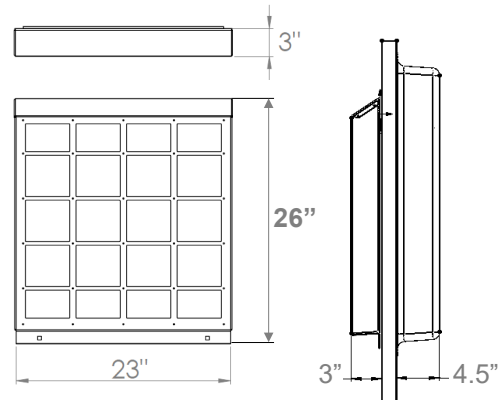
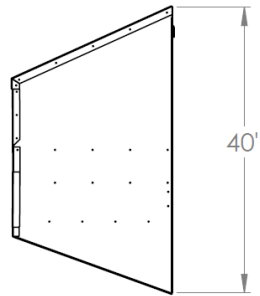
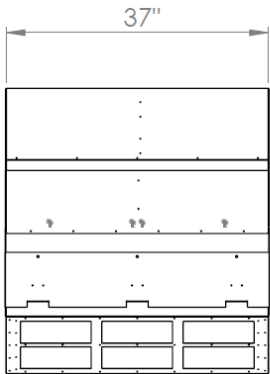


BLANKING PANELS



Spring Return Fire & Safety Damper Actuators (UL555 & UL555S) Provide Failsafe Closure of Intake & Exhaust Ports.

### DIMENSIONS



AF000401	Min.	Typ.	Max
Input Voltage, Volts DC <sup>2</sup>	-36	-48	-60
Power Consumption, W	0	Variable	600
DC Circuit Breaker Required	-	20A	-
Airflow, CFM	0	Variable	2400
Temperature Range, F	-20		+140
Fans Expected Life (L10 @ 40C)	70,000 Hours		
Dampers & Actuators Expected Life	100,000 Hours		

<sup>2</sup> Transients of -72VDC can be tolerated

US Patent: 10,098,255 and patents pending

### ABOUT RF INDUSTRIES

RF Industries (RFI) designs and manufactures a broad range of interconnect products across diversified, growing markets including wireless/wireline telecom, data communications and industrial. Our products include RF connectors, coaxial cables, data cables, wire harnesses, fiber optic cables, custom cabling, energy-efficient cooling systems and integrated small cell enclosures.

### RF INDUSTRIES

rfindustries.com | 800.233.1728  
16868 Via Del Campo Court, Suite 200  
San Diego, CA 92127

