

DIRECT AIR COOLING (DAC): WALL MOUNTABLE SYSTEM



PART # AF000401

Revision: 2.2 | March 2023

TELECOM SHELTER COOLING SYSTEM



FEATURES

- Patented air-cooling system provides total environmental control for telecom shelters
- Dual, variable speed, and high efficiency blowers apply positive pressure to the shelter
- Includes a Deep Media Filter (MERV 16) (MERV 14 is available for non-coastal environments)
- Fits HVAC return or supply opening (3 to 6 ton)
- Regulated by the Smart Controller (part # AF000400) that manages up to 2 HVAC units
- Reduces compressor cycling, extends the life of HVACs and reduces HVAC maintenance costs

BENEFITS

- -48VDC Powered; cools on backed up power during power outages
- Reduces electricity spend for site cooling
- Blocked filter alarm sensor
- Designed for ease of installation (no cranes required)

SPECIFICATIONS

Dimensions (Wall Unit), in	37 W x 40 H x 22.5 D
Dimensions (Exhaust), in	16 W x 30 H x 3 D
Weight (Wall DAC Unit) ¹ , lbs	150
Colors (Powder Coat)	Grey (others on request)
Equipment heat-load, kW	Up to 12
Operating Temperature Range, F	-20 to 140
Storage Temperature Range, F	-40 to 158

¹ Does not include exhaust kit or pallet weight

DIRECT AIR COOLING (DAC): WALL MOUNTABLE SYSTEM

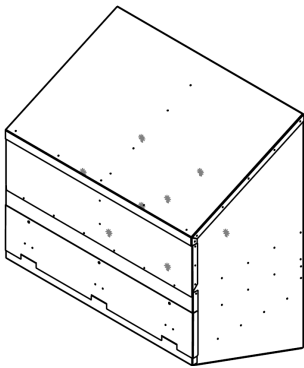


PART # AF000401

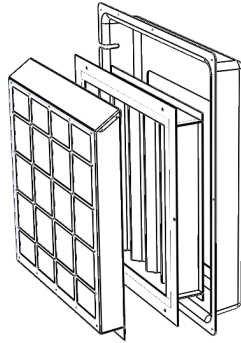
Revision: 2.2 | March 2023

DIMENSIONS & EQUIPMENT SETUP OPTIONS

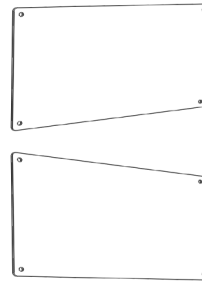
KIT COMPONENTS



WALL INTAKE UNIT



DOOR EXHAUST

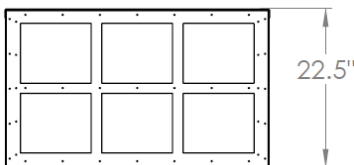
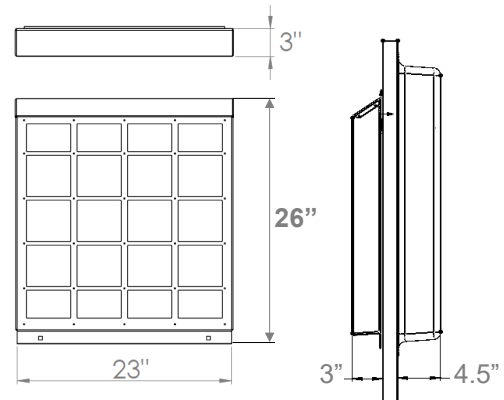
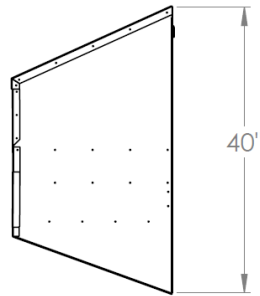
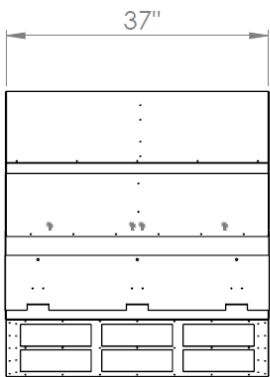


BLANKING PANELS



Spring Return Fire & Safety Damper Actuators (UL555 & UL555S) Provide Failsafe Closure of Intake & Exhaust Ports.

DIMENSIONS



AF000401	Min.	Typ.	Max
Input Voltage, Volts DC ²	-36	-48	-60
Power Consumption, W	0	Variable	600
DC Circuit Breaker Required	-	20A	-
Airflow, CFM	0	Variable	2400
Temperature Range, F	-20		+140
Fans Expected Life (L10 @ 40C)	70,000 Hours		
Dampers & Actuators Expected Life	100,000 Hours		

²Transients of -72VDC can be tolerated

US Patent:10,098,255 and patents pending

ABOUT RF INDUSTRIES

RF Industries (RFI) designs and manufactures a broad range of interconnect products across diversified, growing markets including wireless/wireline telecom, data communications and industrial. Our products include RF connectors, coaxial cables, data cables, wire harnesses, fiber optic cables, custom cabling, energy-efficient cooling systems and integrated small cell enclosures.

RF INDUSTRIES
rfindustries.com | 800.233.1728
16868 Via Del Campo Court, Suite 200
San Diego, CA 92127

