

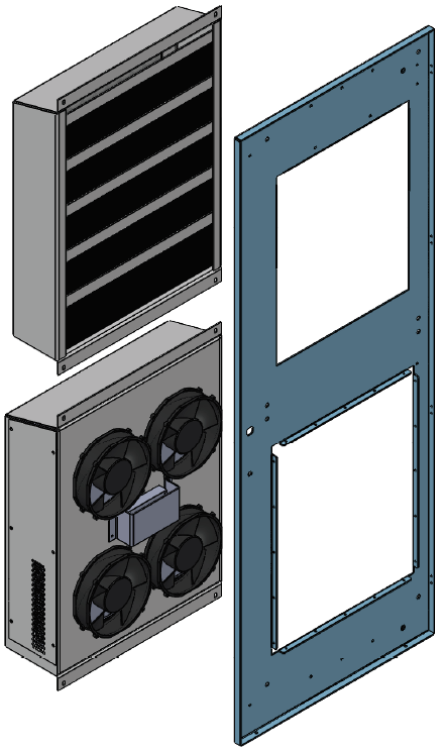
# DIRECT AIR COOLING (DAC): CABINET KIT



PART # AF000190

Revision: 2.2 | March 2023

## OUTDOOR TELECOM CABINET COOLING SYSTEM

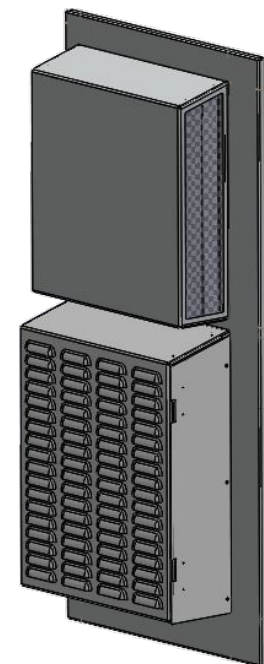


### FEATURES

- Cools up to 4kW heat load cabinets using less than 250W with quad high efficiency fans, delta T as low as 5 degrees C.
- Dust free system thanks to positive pressure applied to the cabinet and deep media long life telco grade air filters (MERV 14 or 16).
- Modular platform can fit most cabinets with door panel larger than 24 (W) x 57 (H) inches (both units on same door) or as small as 24 (W) x 30 (H) inches (front & back installation).
- Complete cooling kit for fast field cabinet upgrades. Kit includes Filter/Fan lower unit with hood, exhaust damper with hood (no cabinet front door panel).

### CLOSED LOOP DELTA T DRIVEN FAN CONTROL

- Patented fresh air cooling system provides total environmental control for telecom cabinets
- Ethernet enabled for remote communication, SNMP Traps & Form C contacts for alarms
- Integrated LED indicator Provides Simple Status Checks of DAC System Operation Mode and Alarms
- Programmable site control settings managed through secure profiles.
- Built in redundancy for high reliability with quad independently fused fans



# DIRECT AIR COOLING (DAC): CABINET KIT



PART # AF000190

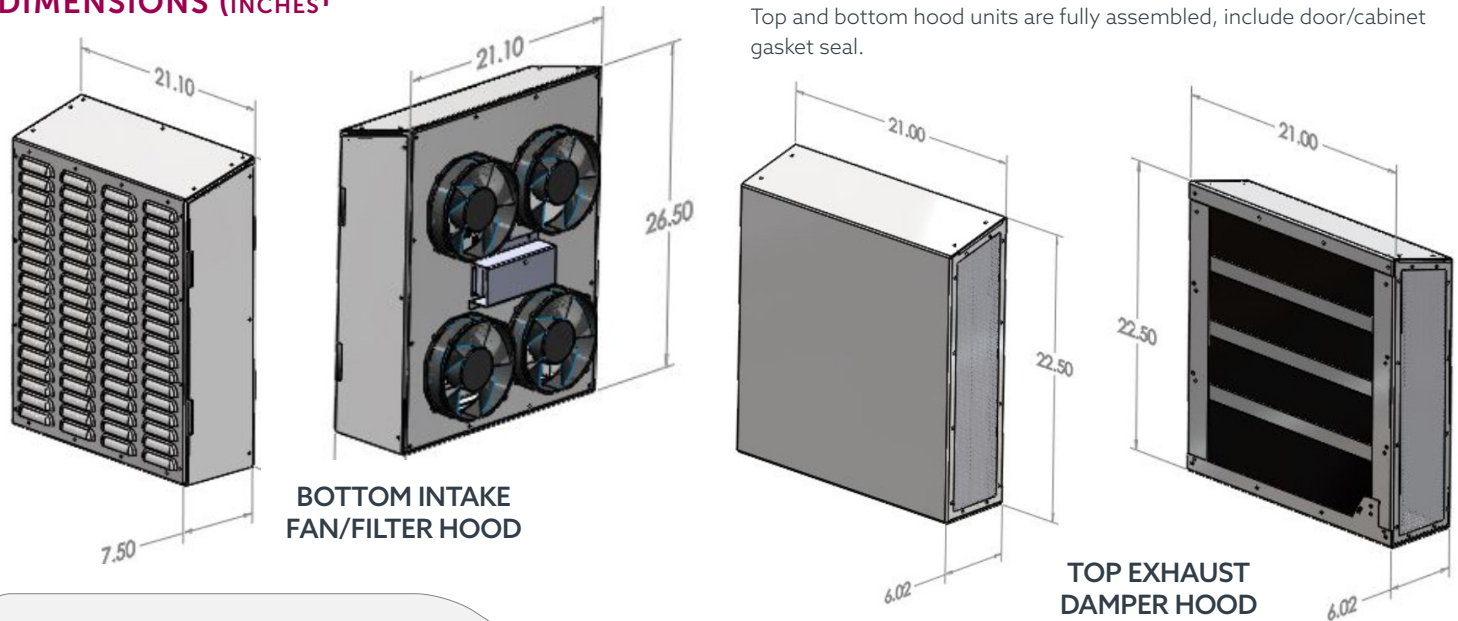
Revision: 2.2 | March 2023

## SPECIFICATIONS

AF000190	Min.	Typ.	Max.	Notes
System input voltage, VDC	-36	-48	-60	-72 VDC transients
Power Consumption, W	5	-	250	Variable speed fans
Fans, RPM	0	-	3800	Variable speed fans
Maximum Airflow, CFM	1200	1400	-	Fans at max RPM
Cabinet Heat-Load, kW	0	-	4	At 5C delta T (exhaust intake air)
Fans Expected Life, hrs	-	117,000	-	L10 @ 40C acc. to IPC 95
Temperature Sensors	-	-	2	Intake and exhaust air
Alarms Dry Contacts, qty	-	-	3	General alarm (Fans, controller or thermistors), High temp, Low temp or filter clog.
Air Filter MERV	14	-	16	4" deep media filter
Weight, lb/kg		64/29		Full kit (without cabinet door panel)

Product finish: door and hoods powder coated, color to be specified.

## DIMENSIONS (INCHES)<sup>1</sup>



### ABOUT RF INDUSTRIES

RF Industries (RFI) designs and manufactures a broad range of interconnect products across diversified, growing markets including wireless/wireline telecom, data communications and industrial. Our products include RF connectors, coaxial cables, data cables, wire harnesses, fiber optic cables, custom cabling, energy-efficient cooling systems and integrated small cell enclosures.

**RF INDUSTRIES**

rfindustries.com | 800.233.1728

16868 Via Del Campo Court, Suite 200  
San Diego, CA 92127

