

NOTES: UNLESS OTHERWISE SPECIFIED

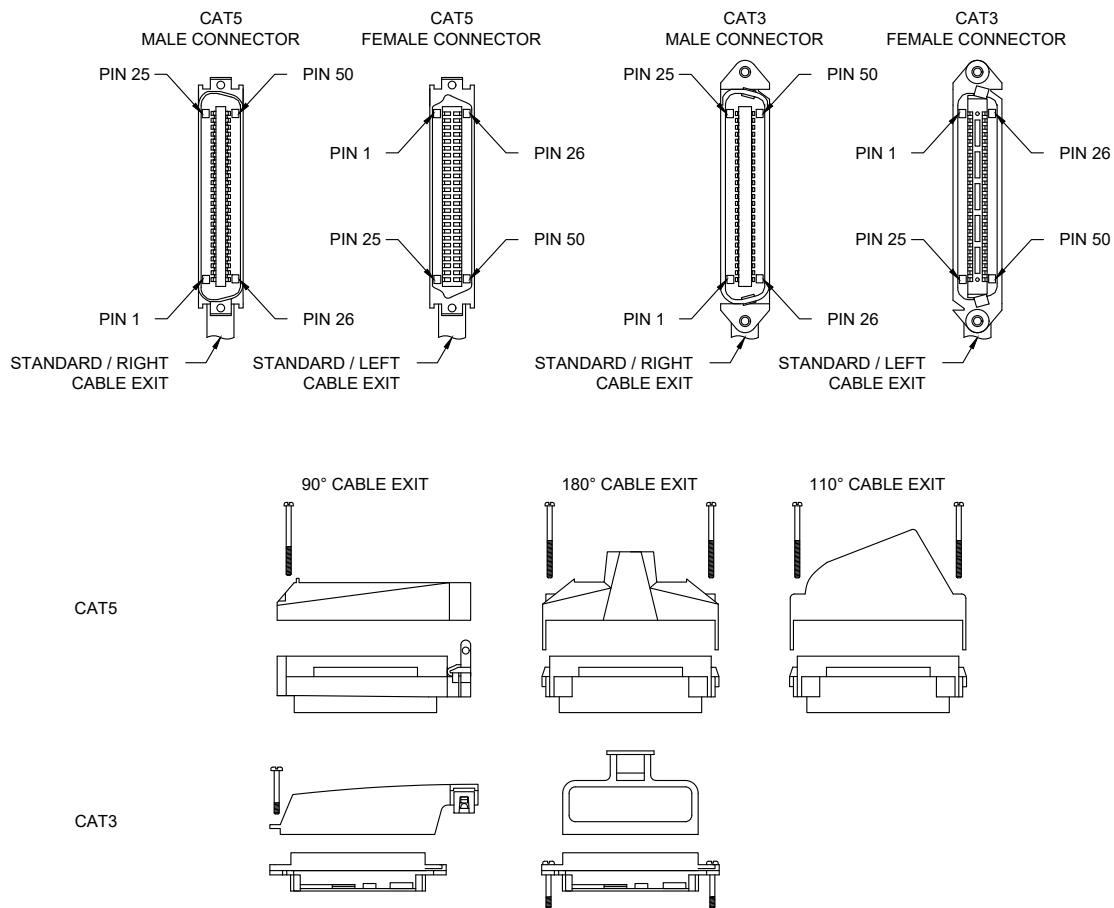
1. MATERIALS AND COMPONENTS ARE RoHS/REACH COMPLIANT.
2. CONNECTORS MEET THE REQUIREMENTS OF ANSI/TIA 568-C.2.
3. CABLE ASSEMBLIES ARE MANUFACTURED TO C ENTERPRISES STANDARDS.
4. STANDARDS AND SPECIFICATIONS AVAILABLE UPON REQUEST.
5. CABLE: 25 PAIR, SOLID CONDUCTOR.
6. CONNECTORS:
 - 6.1. RING: PINS 1-25
 - 6.2. TIP: PINS 26-50

REV	ECR	DESCRIPTION	BY	DATE	CHECKED
B	-	UPDATED WIRING CONFIG	J.V.	11/19/2015	-
C	-	DRAWING TEMPLATE UPDATE	K.T.	11/04/2016	A.J.
C.1	-	CONNECTOR DETAILS	K.T.	11/23/2016	A.J.

STANDARD WIRING CONFIGURATION: STRAIGHT THROUGH

C-1	COLOR CODE	C-2	PAIR
1	BLUE/WHITE	1	1
26	WHITE/BLUE	26	
2	ORANGE/WHITE	2	2
27	WHITE/ORANGE	27	
3	GREEN/WHITE	3	3
28	WHITE/GREEN	28	
4	BROWN/WHITE	4	4
29	WHITE/BROWN	29	
5	GREY/WHITE	5	5
30	WHITE/GREY	30	
6	BLUE/RED	6	6
31	RED/BLUE	31	
7	ORANGE/RED	7	7
32	RED/ORANGE	32	
8	GREEN/RED	8	8
33	RED/GREEN	33	
9	BROWN/RED	9	9
34	RED/BROWN	34	
10	GREY/RED	10	10
35	RED/GREY	35	
11	BLUE/BLACK	11	11
36	BLACK/BLUE	36	
12	ORANGE/BLACK	12	12
37	BLACK/ORANGE	37	
13	GREEN/BLACK	13	13
38	BLACK/GREEN	38	

C-1	COLOR CODE	C-2	PAIR
14	BROWN/BLACK	14	14
39	BLACK/BROWN	39	
15	GREY/BLACK	15	15
40	BLACK/GREY	40	
16	BLUE/YELLOW	16	16
41	YELLOW/BLUE	41	
17	ORANGE/YELLOW	17	17
42	YELLOW/ORANGE	42	
18	GREEN/YELLOW	18	18
43	YELLOW/GREEN	43	
19	BROWN/YELLOW	19	19
44	YELLOW/BROWN	44	
20	GREY/YELLOW	20	20
45	YELLOW/GREY	45	
21	BLUE/VIOLET	21	21
46	VIOLET/BLUE	46	
22	ORANGE/VIOLET	22	22
47	VIOLET/ORANGE	47	
23	GREEN/VIOLET	23	23
48	VIOLET/GREEN	48	
24	BROWN/VIOLET	24	24
49	VIOLET/BROWN	49	
25	GREY/VIOLET	25	25
50	VIOLET/GREY	50	



CABLE EXIT DIRECTION: 90° AND 110° HOUSINGS		
MALE	RIGHT	STANDARD
	LEFT	OPPOSITE
FEMALE	LEFT	STANDARD
	RIGHT	OPPOSITE
	CAT5 FEMALE 90° RIGHT EXIT IS NOT AVAILABLE	

DRAWN BY:	K. THOMAS	11/23/2016
APVD BY:	A. JENSEN	11/23/2016



C ENTERPRISES
2445 CADES WAY
VISTA CA 92081
760-599-5111

DIMENSIONS: METRIC [IMPERIAL]		TITLE: TELCO WIRING CONFIG	
PROPRIETARY AND CONFIDENTIAL	SIZE A	DWG. NO. TELCO-WIRING-CONFIG	REV C.1
THIS DOCUMENT CONTAINS PROPRIETARY INFORMATION OF C ENTERPRISES. NOT TO BE USED, COPIED, OR DISCLOSED WITHOUT WRITTEN PERMISSION. ALL RIGHTS RESERVED.		SCALE: NOT TO SCALE	SHEET 1 OF 1