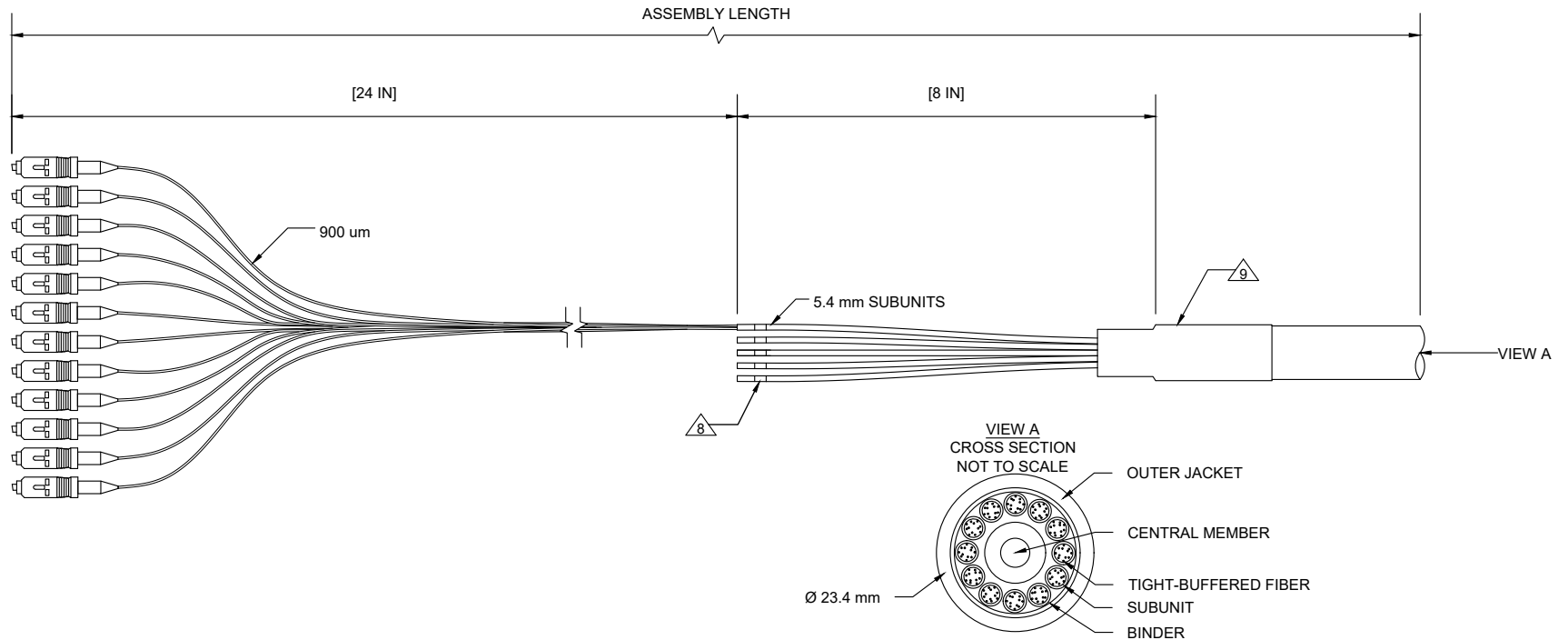



NOTES: UNLESS OTHERWISE SPECIFIED

1. MATERIALS AND COMPONENTS ARE RoHS/REACH COMPLIANT.
2. CONNECTORS MEET THE REQUIREMENTS OF ANSI/TIA 568-C.3
3. 100% TESTED FOR OPTICAL PERFORMANCE, END FACE CRITERIA AND CLEANLINESS.
4. CABLE ASSEMBLIES ARE MANUFACTURED TO C ENTERPRISES STANDARDS.
5. STANDARDS AND SPECIFICATIONS AVAILABLE UPON REQUEST.
6. EACH SUBUNIT CONTAINS 12 FIBER LEGS.
7. FOR DRAWING CLARITY NOT ALL FIBER LEGS OR BUFFER TUBES ARE DEPICTED.
8. SUBUNIT LABELS. 12 PLACES
9. HEAT SHRINK FOR STRAIN RELIEF.

REV	ECR	DESCRIPTION	BY	DATE	CHECKED
A	-	INITIAL RELEASE	K.T.	12/17/2021	A.J.
A.1	-	INITIAL RELEASE	K.T.	12/20/2021	A.J.



DESCRIPTION:		SC NO-CLIP APC / UNTERMINATED 144 FIBER OS2 OFNR INDOOR CABLE, 900 um BREAKOUT, PERFORMA.			
DRAWN BY:	K. THOMAS	12/20/2021	 C-ENTERPRISES Connecting Today's Infrastructures C ENTERPRISES 2445 CADES WAY VISTA CA 92081 760-599-5111		
APVD BY:	A. JENSEN	12/20/2021			
DIMENSIONS: METRIC [IMPERIAL]			TITLE: SC/UNTERM 144 FIBER ASSM		
PROPRIETARY AND CONFIDENTIAL			SIZE	DWG. NO.	REV
THIS DOCUMENT CONTAINS PROPRIETARY INFORMATION OF C ENTERPRISES. NOT TO BE USED, COPIED, OR DISCLOSED WITHOUT WRITTEN PERMISSION. ALL RIGHTS RESERVED.			A	SARI44SBXX9XXPX	A.1
SCALE: NOT TO SCALE				SHEET 1 OF 1	

BILL OF MATERIALS			APC TEST LIMITS AT 1310 nm.			
ITEM	QTY	COMPONENT	MAX. I.L.	TYP. I.L.	MIN. R.L.	TYP. R.L.
2	AR	SINGLE-MODE OS2 OFNR INDOOR CABLE, YELLOW: PERFORMA.				
1	144	SC NO-CLIP SINGLEMODE APC POLISH; GREEN HOUSING, GREEN BOOT: PERFORMA.	≤0.50dB	0.20dB	≥65dB	68dB