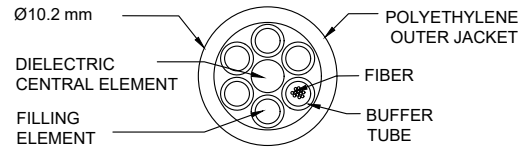
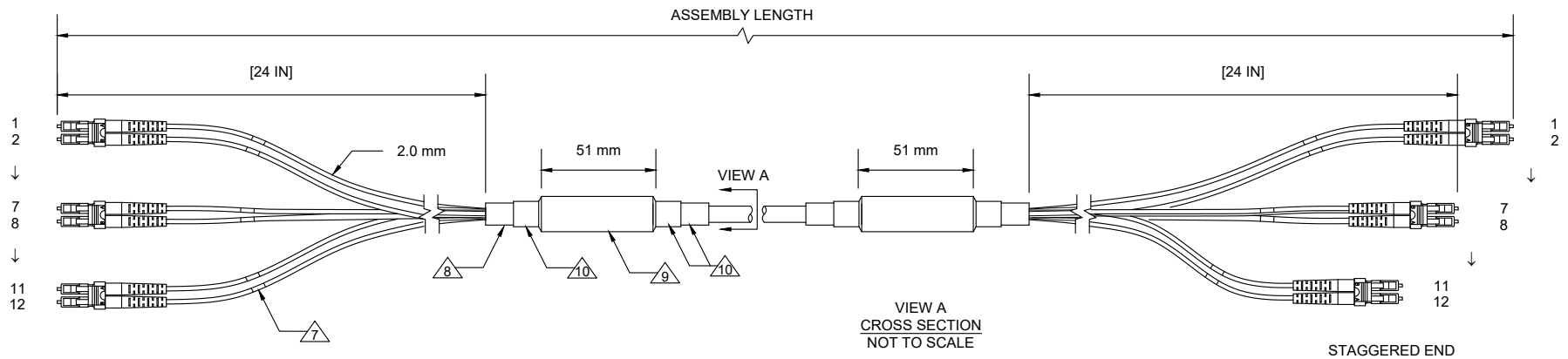


NOTES: UNLESS OTHERWISE SPECIFIED

1. MATERIALS AND COMPONENTS ARE RoHS/REACH COMPLIANT.
2. CONNECTORS MEET THE REQUIREMENTS OF ANSI/TIA 568-C.3
3. 100% TESTED FOR OPTICAL PERFORMANCE, END FACE CRITERIA AND CLEANLINESS.
4. CABLE ASSEMBLIES ARE MANUFACTURED TO C ENTERPRISES STANDARDS.
5. STANDARDS AND SPECIFICATIONS AVAILABLE UPON REQUEST.
6. STAGGERED END WITH PULLING EYE
  - 6.1. CONNECTORS STAGGERED IN PAIRS BY 1 INCH INCREMENTS.
  - 6.2. PAIRS STAGGER ALTERNATE BY INCREASING AND DECREASING FROM DEFINED BREAKOUT LENGTH.
  - 6.3. PAIRS 1-2 LONGEST: 27 INCHES. PAIRS 11-12 SHORTEST: 22 INCHES.

- 7 FIBER LEG LABEL. PLACED APPROX. 6 INCHES FROM CONNECTOR TIP. 12 PLACES.
- 8 HEAT SHRINK FOR STRAIN RELIEF. 2 PLACES.
- 9 C-BREAK. OVERALL DIAMETER: 14 mm . 2 PLACES.
- 10 HEAT SHRINK. 6 PLACES.

REV	ECR	DESCRIPTION	BY	DATE	CHECKED
A	-	INITIAL RELEASE	M.K.	04/23/2020	A. J



EXAMPLE OF PULLING EYE



BILL OF MATERIALS

ITEM	QTY	COMPONENT
5	1	PULLING EYE: 12 FIBERS
4	1	SINGLE-MODE UPC TEST REPORT
3	2	SINGLE LEG BREAKOUT: 2.0 mm FURCATION TUBES, YELLOW, 24 IN
2	AR	SINGLE-MODE OS2 12 FIBER OSP ALTOS® OUTDOOR CABLE; BLACK: CORNING.
1	24	LC-CLIP UPC POLISH ; BLUE HOUSING, BLUE BOOT: PERFORMA

UPC TEST LIMITS AT 1310 nm

MAX. I.L.	TYP. I.L.	MIN. R.L.	TYP. R.L.
≤0.50dB	0.20dB	≥50dB	60dB

DESCRIPTION: LC-CLIP UPC / LC-CLIP UPC, x 12-FIBER OS2 SINGLE-MODE OSP OUTDOOR ALTOS® CABLE, 24 IN BREAKOUT w/ 2.0 mm FURCATION, PULLING EYE W/ STAGGERED END, TEST REPORT. SUPRA.

DRAWN BY:	M.KHANFIR	04/22/2020
APVD BY:	A.JENSEN	04/23/2020

C ENTERPRISES  
2445 CADES WAY  
VISTA CA 92081  
760-599-5111

DIMENSIONS: METRIC [IMPERIAL]

TITLE: LC UPC / LC UPC OS2 x12-FIBER OUT ASM

PROPRIETARY AND CONFIDENTIAL  
THIS DOCUMENT CONTAINS PROPRIETARY INFORMATION OF C ENTERPRISES. NOT TO BE USED, COPIED, OR DISCLOSED WITHOUT WRITTEN PERMISSION. ALL RIGHTS RESERVED.

SIZE	DWG. NO.	REV
A	SUOD12LCLCFRPSX	A
SCALE: NOT TO SCALE		SHEET 1 OF 1