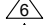
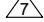
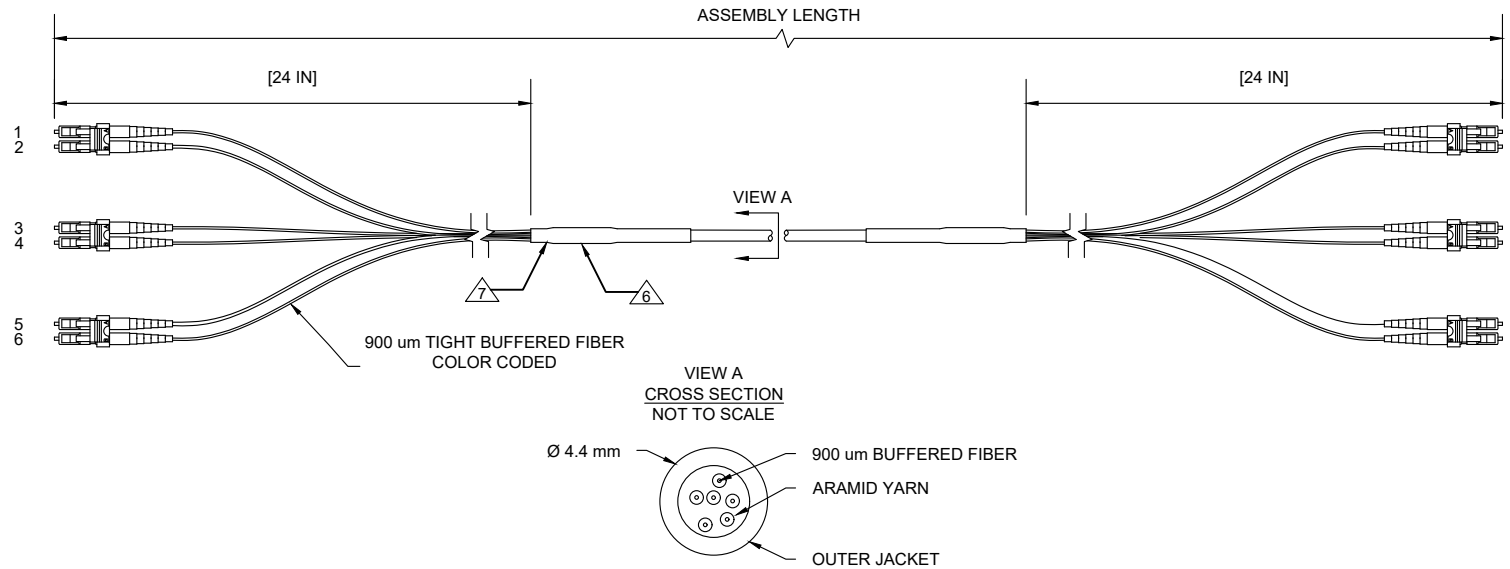


NOTES: UNLESS OTHERWISE SPECIFIED


1. MATERIALS AND COMPONENTS ARE RoHS/REACH COMPLIANT.
2. CONNECTORS MEET THE REQUIREMENTS OF ANSI/TIA 568-C.3
3. 100% TESTED FOR OPTICAL PERFORMANCE, END FACE CRITERIA AND CLEANLINESS.
4. CABLE ASSEMBLIES ARE MANUFACTURED TO C ENTERPRISES STANDARDS.
5. STANDARDS AND SPECIFICATIONS AVAILABLE UPON REQUEST.
6.  HEAT SHRINK -ADHESIVE, SECURED ARAMID YARN AND JACKET: 2 PLACES.
7.  HEAT SHRINK FOR STRAIN RELIEF: 2 PLACES.

REV	ECR	DESCRIPTION	BY	DATE	CHECKED
A	-	INITIAL RELEASE	M.K.	12/20/2017	A.J.



DESCRIPTION: LC-CLIPPED PC / LC-CLIPPED PC, x 6-FIBER 50 um OM3 OFNP INDOOR DIST CABLE, 900 um BREAKOUT, PERFORMA

DRAWN BY:	M. KHANFIR	12/20/2017
APVD BY:	A. JENSEN	12/21/2017



**C-ENTERPRISES**  
*Connecting Today's Infrastructures*

C ENTERPRISES  
2445 CADES WAY  
VISTA CA 92081  
760-599-5111

DIMENSIONS: METRIC [IMPERIAL]

PROPRIETARY AND CONFIDENTIAL

THIS DOCUMENT CONTAINS PROPRIETARY INFORMATION OF C ENTERPRISES. NOT TO BE USED, COPIED, OR DISCLOSED WITHOUT WRITTEN PERMISSION. ALL RIGHTS RESERVED.

TITLE:	LC/LC INDOOR OM3 INDOOR 900um BREAKOUT	
SIZE	DWG. NO.	REV
A	JPP106LCLC9XXPX	A
SCALE: NOT TO SCALE		SHEET 1 OF 1

BILL OF MATERIALS			MULTIMODE TEST LIMITS AT 1300 nm			
ITEM	QTY	COMPONENT	MAX. I.L.	TYP. I.L.	MIN. R.L.	TYP. R.L.
2	AR	MULTIMODE OM3 6 FIBER OFNP DIST CABLE; AQUA: PERFORMA				
1	12	LC-CLIPPED PC POLISH CONNECTOR; BEIGE HOUSING, BLACK BOOT: PERFORMA	≤0.75dB	0.20dB	N/A	N/A