


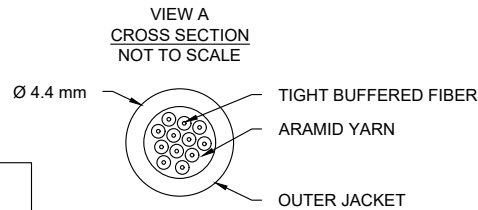
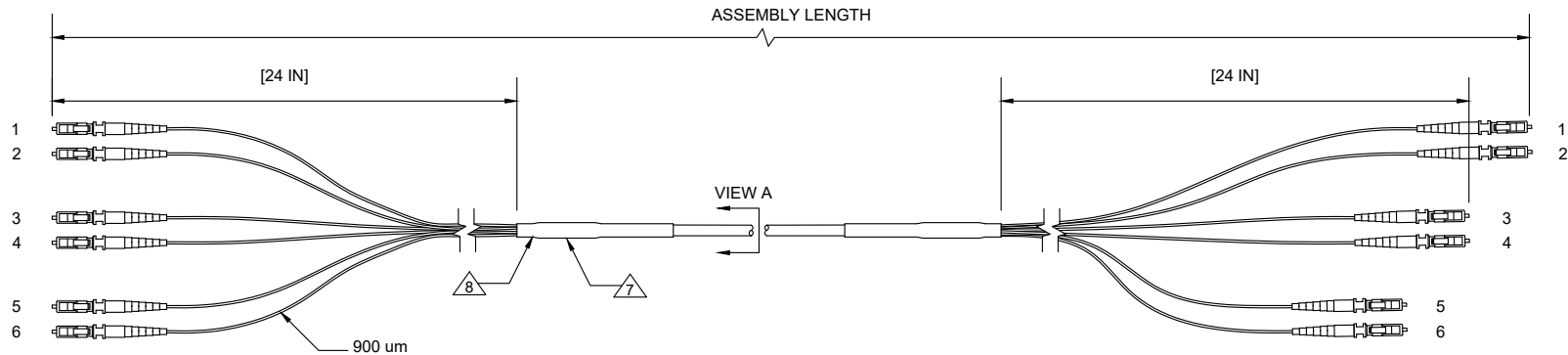
NOTES: UNLESS OTHERWISE SPECIFIED

1. MATERIALS AND COMPONENTS ARE RoHS/REACH COMPLIANT.
2. CONNECTORS MEET THE REQUIREMENTS OF ANSI/TIA 568-C.3
3. 100% TESTED FOR OPTICAL PERFORMANCE, END FACE CRITERIA AND CLEANLINESS.
4. CABLE ASSEMBLIES ARE MANUFACTURED TO C ENTERPRISES STANDARDS.
5. STANDARDS AND SPECIFICATIONS AVAILABLE UPON REQUEST.
6. STAGGERED END WITH PULLING EYE
 - 6.1. CONNECTORS STAGGERED BY 1 INCH INCREMENTS.
 - 6.2. PAIRS STAGGER ALTERNATES BY INCREASING AND DECREASING FROM DEFINED BREAKOUT LENGTH.
 - 6.3. PAIR 1-2 LONGEST: 25 INCHES. PAIR 5-6 SHORTEST: 23 INCHES.

 HEAT SHRINK -ADHESIVE, SECURED ARAMID YARN AND JACKET: 2 PLACES.

 HEAT SHRINK FOR STRAIN RELIEF: 2 PLACES.

REV	ECR	DESCRIPTION	BY	DATE	CHECKED
A	-	INITIAL RELEASE	M. K	01/26/2018	A.J.



EXAMPLE OF PULLING EYE



BILL OF MATERIALS

ITEM	QTY	COMPONENT
4	1	MULTIMODE PC TEST REPORT
3	1	PULLING EYE: 6 FIBERS.
2	AR	MULTIMODE OM3 6 FIBER OFNP DIST CABLE; AQUA: PERFORMA
1	12	LC-UNCLIPPED PC POLISH CONNECTOR; BEIGE HOUSING, BLACK BOOT: PERFORMA

PC MULTIMODE TEST LIMITS
AT 1300 nm

MAX. I.L.	TYP. I.L.	MIN. R.L.	TYP. R.L.
≤0.75dB	0.20dB	N/A	N/A

DESCRIPTION: LC-UNCLIPPED PC / LC-UNCLIPPED PC, x 6-FIBER 50 um OM3 OFNP INDOOR DIST CABLE, 900 um BREAKOUTS, TEST REPORT PULLING EYE W/ STAGGERED CONNECTORS, PERFORMA

DRAWN BY:	M. KHANFIR	01/26/2018
APVD BY:	A. JENSEN	01/26/2018



C ENTERPRISES
2445 CADES WAY
VISTA CA 92081
760-599-5111

DIMENSIONS: METRIC [IMPERIAL]

TITLE: LC/LC INDOOR OM3 6 FIBER ASM

PROPRIETARY AND CONFIDENTIAL
THIS DOCUMENT CONTAINS PROPRIETARY INFORMATION OF C ENTERPRISES. NOT TO BE USED, COPIED, OR DISCLOSED WITHOUT WRITTEN PERMISSION. ALL RIGHTS RESERVED.

SIZE	DWG. NO.	REV
A	JPP106LBLB9RPPX	A
SCALE: NOT TO SCALE		SHEET 1 OF 1