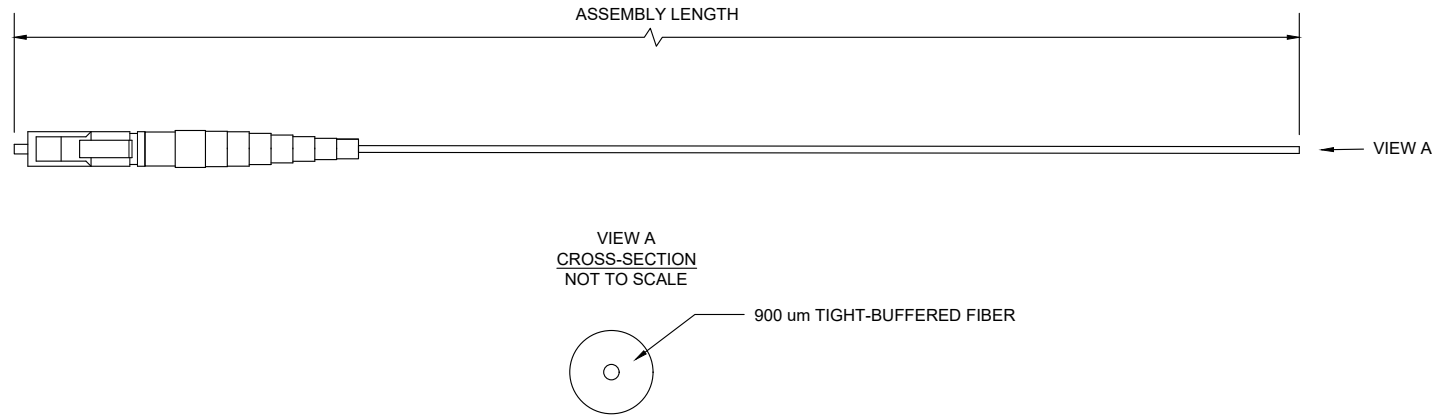



NOTES: UNLESS OTHERWISE SPECIFIED

1. MATERIALS AND COMPONENTS ARE RoHS/REACH COMPLIANT.
2. CONNECTORS MEET THE REQUIREMENTS OF ANSI/TIA 568-C.3
3. 100% TESTED FOR OPTICAL PERFORMANCE, END FACE CRITERIA AND CLEANLINESS.
4. CABLE ASSEMBLIES ARE MANUFACTURED TO C ENTERPRISES STANDARDS.
5. STANDARDS AND SPECIFICATIONS AVAILABLE UPON REQUEST.

REV	ECR	DESCRIPTION	BY	DATE	CHECKED
A	-	INITIAL RELEASE	M. K	04/07/2020	A.J.



DESCRIPTION:		LC PC POLISH / UNTERMINATED SIMPLEX FIBER MULTIMODE OM4 900 um TIGHT BUFFER, ULTRA.			
DRAWN BY:	M. KHANFIR	03/30/2020	 C ENTERPRISES 2445 CADES WAY VISTA CA 92081 760-599-5111		
APVD BY:	A. JENSEN	04/07/2020			
DIMENSIONS: METRIC [IMPERIAL]			TITLE: LC/UNTERM OM4 900 um SIMPLEX		
PROPRIETARY AND CONFIDENTIAL			SIZE	DWG. NO.	REV
THIS DOCUMENT CONTAINS PROPRIETARY INFORMATION OF C ENTERPRISES. NOT TO BE USED, COPIED, OR DISCLOSED WITHOUT WRITTEN PERMISSION. ALL RIGHTS RESERVED.			A	HPBS01LBXXXXXUX	A
			SCALE: NOT TO SCALE		SHEET 1 OF 1

BILL OF MATERIALS			PC TEST LIMITS AT 1300 nm			
ITEM	QTY	COMPONENT	MAX. I.L.	TYP. I.L.	MIN. R.L.	TYP. R.L.
2	AR	MULTIMODE OM4 900 um TIGHT BUFFER SIMPLEX FIBER; WHITE: CORNING.				
1	1	LC-PC POLISH; BLACK HOUSING, AQUA BOOT: CORNING	≤0.75dB	0.20dB	N/A	N/A