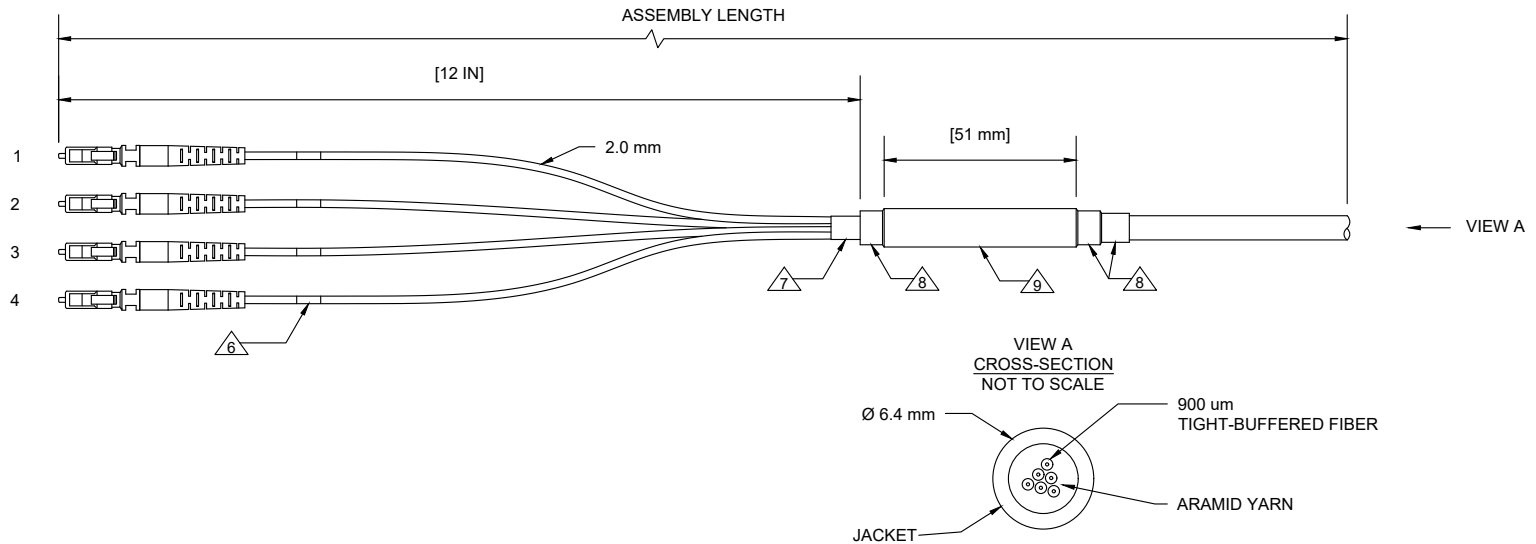



NOTES: UNLESS OTHERWISE SPECIFIED

1. MATERIALS AND COMPONENTS ARE RoHS/REACH COMPLIANT.
2. CONNECTORS MEET THE REQUIREMENTS OF ANSI/TIA 568-C.3
3. 100% TESTED FOR OPTICAL PERFORMANCE, END FACE CRITERIA AND CLEANLINESS.
4. CABLE ASSEMBLIES ARE MANUFACTURED TO C ENTERPRISES STANDARDS.
5. STANDARDS AND SPECIFICATIONS AVAILABLE UPON REQUEST.
6. FIBER LEG LABEL. PLACED APPROX. 6 INCHES FROM CONNECTOR TIP. 4 PLACES.
7. HEAT SHRINK FOR STRAIN RELIEF.
8. ADHESIVE HEAT SHRINK..
9. SINGLE LEG BREAKOUT: OVERALL DIAMETER: 10 mm.

REV	ECR	DESCRIPTION	BY	DATE	CHECKED
A	-	INITIAL RELEASE	K.T.	03/16/2018	A.J.



DESCRIPTION:		LC-UNCLIPPED / UNTERMINATED UPC POLISH x4-FIBER OS2 TIGHT BUFFER OFNR INDOOR/OUTDOOR CABLE, 12 INCH SINGLE LEG BREAKOUT.			
DRAWN BY:	K. THOMAS	03/16/2018	 C ENTERPRISES 2445 CADES WAY VISTA CA 92081 760-599-5111		
APVD BY:	A. JENSEN	03/16/2018			
DIMENSIONS: METRIC [IMPERIAL]			TITLE: LC-NOCLIP/ UNTERM. x4-FIBER SM OFNR IN/OUT		
PROPRIETARY AND CONFIDENTIAL			SIZE	DWG. NO.	REV
THIS DOCUMENT CONTAINS PROPRIETARY INFORMATION OF C ENTERPRISES. NOT TO BE USED, COPIED, OR DISCLOSED WITHOUT WRITTEN PERMISSION. ALL RIGHTS RESERVED.			A	SURO04LBXXFXXP9	A
SCALE: NOT TO SCALE				SHEET 1 OF 1	

BILL OF MATERIALS			UPC TEST LIMITS AT 1310 nm.			
ITEM	QTY	COMPONENT	MAX. I.L.	TYP. I.L.	MIN. R.L.	TYP. R.L.
3	1	SINGLE LEG BREAKOUT: 2 mm FIBER LEGS, YELLOW, 12 IN.				
2	AR	SINGLE-MODE OS2 6-FIBER TB OFNR INDOOR/OUTDOOR CABLE; BLACK; PERFORMA.				
1	4	LC-UNCLIPPED UPC POLISH, BLUE HOUSING, BLUE BOOT: PERFORMA.	≤0.50dB	0.20dB	≥50dB	60dB