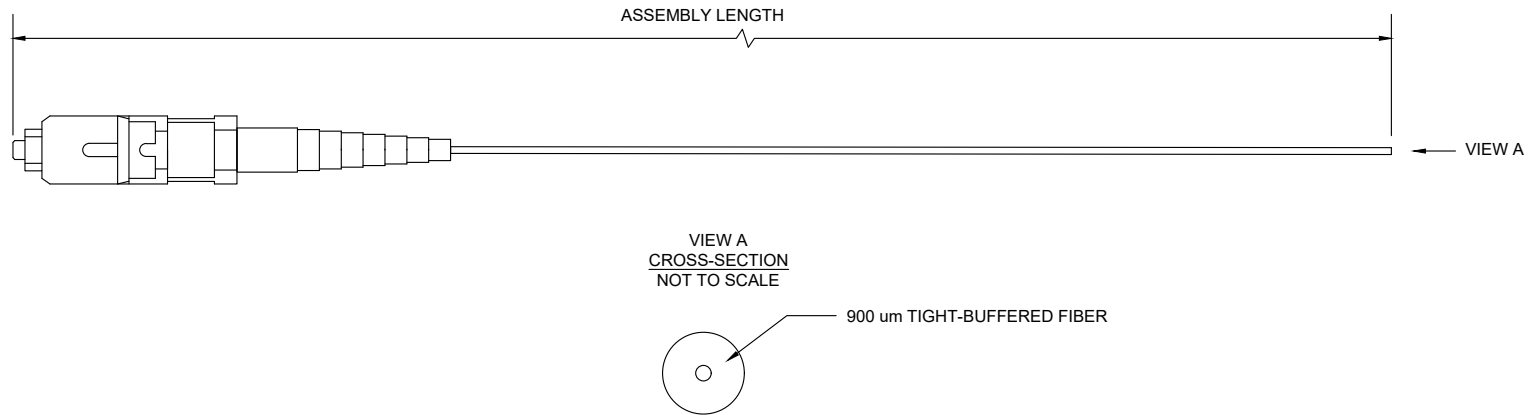


NOTES: UNLESS OTHERWISE SPECIFIED

1. MATERIALS AND COMPONENTS ARE RoHS/REACH COMPLIANT.
2. CONNECTORS MEET THE REQUIREMENTS OF ANSI/TIA 568-C.3
3. 100% TESTED FOR OPTICAL PERFORMANCE, END FACE CRITERIA AND CLEANLINESS.
4. CABLE ASSEMBLIES ARE MANUFACTURED TO C ENTERPRISES STANDARDS.
5. STANDARDS AND SPECIFICATIONS AVAILABLE UPON REQUEST.

REV	ECR	DESCRIPTION	BY	DATE	CHECKED
A	-	INITIAL RELEASE	M. K	03/02/2018	A.J.



DESCRIPTION: SC NO-CLIP UPC POLISH / UNTERMINATED SIMPLEX FIBER OS2 900 um TIGHT BUFFER, ULTRA.

DRAWN BY:	M. KHANFIR	03/02/2018
APVD BY:	A. JENSEN	03/02/2018



C ENTERPRISES  
2445 CADES WAY  
VISTA CA 92081  
760-599-5111

DIMENSIONS: METRIC [IMPERIAL]

TITLE: LC/UNTERM OS2 900 um SIMPLEX

BILL OF MATERIALS

ITEM	QTY	COMPONENT
2	AR	SINGLE-MODE OS2 900 um TIGHT BUFFER SIMPLEX RISER CABLE; YELLOW: CORNING
1	1	SC NO-CLIP UPC POLISH; BLUE HOUSING, BLUE BOOT: CORNING.

UPC TEST LIMITS AT 1310 nm			
MAX. I.L.	TYP. I.L.	MIN. R.L.	TYP. R.L.
≤0.50dB	0.20dB	≥50dB	60dB

PROPRIETARY AND CONFIDENTIAL  
THIS DOCUMENT CONTAINS PROPRIETARY INFORMATION OF C ENTERPRISES. NOT TO BE USED, COPIED, OR DISCLOSED WITHOUT WRITTEN PERMISSION. ALL RIGHTS RESERVED.

SIZE	DWG. NO.	REV
A	SUBS01SBXXXXXUX	A
SCALE: NOT TO SCALE		SHEET 1 OF 1