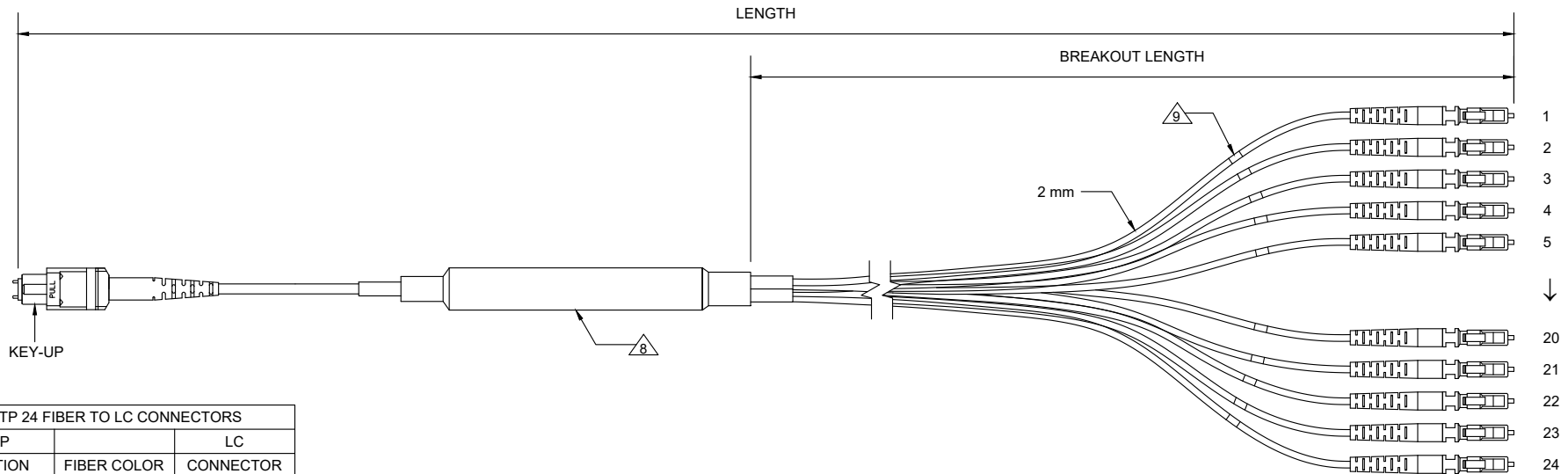


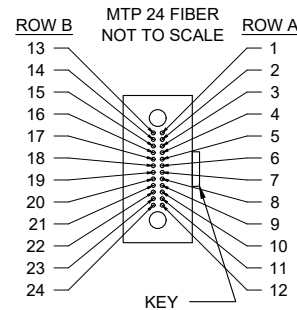
NOTES: UNLESS OTHERWISE SPECIFIED


1. MATERIALS AND COMPONENTS ARE RoHS/REACH COMPLIANT.
2. CONNECTORS MEET THE REQUIREMENTS OF ANSI/TIA 568-C.3
3. 100% TESTED FOR OPTICAL PERFORMANCE, END FACE CRITERIA AND CLEANLINESS.
4. APPLICABLE TO MULTIMODE AND SINGLE-MODE.
5. CABLE ASSEMBLIES ARE MANUFACTURED TO C ENTERPRISES STANDARDS.
6. STANDARDS AND SPECIFICATIONS AVAILABLE UPON REQUEST.
7. FOR DRAWING CLARITY NOT ALL CONNECTORS DEPICTED.
8. C-BREAKOUT. DRAWING AVAILABLE UPON REQUEST.
9. LABEL LEG NUMBER. PLACED APPROX. 6 INCHES FROM CONNECTOR.

REV	ECR	DESCRIPTION	BY	DATE	CHECKED
A	-	INITIAL RELEASE	K.T.	08/05/2016	A.J.



MTP 24 FIBER TO LC CONNECTORS		
MTP POSITION	FIBER COLOR	LC CONNECTOR
ROW A		
1	BLUE	1
2	ORANGE	2
3	GREEN	3
4	BROWN	4
5	SLATE	5
6	WHITE	6
7	RED	7
8	BLACK	8
9	YELLOW	9
10	VIOLET	10
11	ROSE	11
12	AQUA	12
ROW B		
13	BLUE	13
14	ORANGE	14
15	GREEN	15
16	BROWN	16
17	SLATE	17
18	WHITE	18
19	RED	19
20	BLACK	20
21	YELLOW	21
22	VIOLET	22
23	ROSE	23
24	AQUA	24



DRAWN BY:	K. THOMAS	08/05/2016	 <b>C-ENTERPRISES</b> <small>Connecting Today's Infrastructures</small>	C ENTERPRISES 2445 CADES WAY VISTA CA 92081 760-599-5111	
APVD BY:	A. JENSEN	08/05/2016		<b>TITLE: MTP 24 TO LC POLARITY TYPE A</b>	
DIMENSIONS: METRIC [IMPERIAL]			SIZE <b>A</b>	DWG. NO. <b>MTP24-LC_POLARITY_A</b>	REV <b>A</b>
PROPRIETARY AND CONFIDENTIAL THIS DOCUMENT CONTAINS PROPRIETARY INFORMATION OF C ENTERPRISES. NOT TO BE USED, COPIED, OR DISCLOSED WITHOUT WRITTEN PERMISSION. ALL RIGHTS RESERVED.			SCALE: NOT TO SCALE		SHEET 1 OF 1