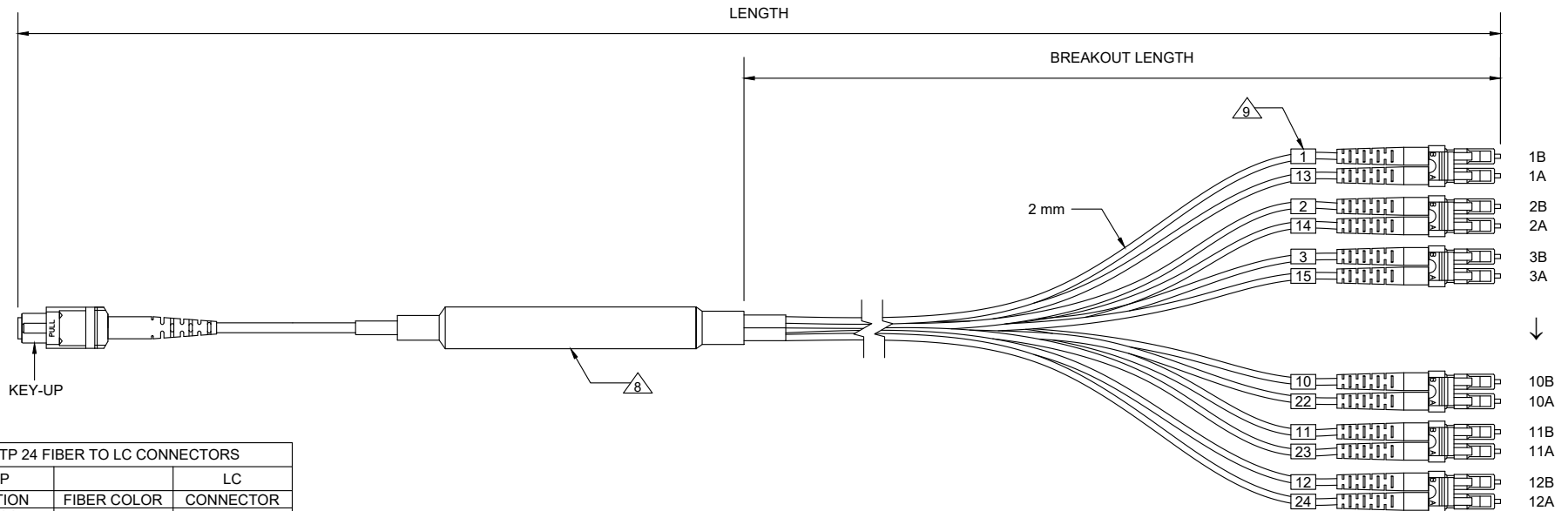


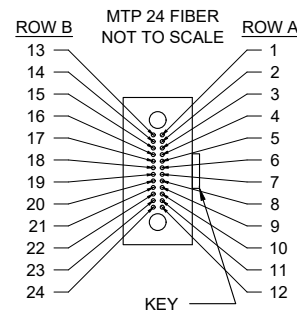
NOTES: UNLESS OTHERWISE SPECIFIED


1. MATERIALS AND COMPONENTS ARE RoHS/REACH COMPLIANT.
2. CONNECTORS MEET THE REQUIREMENTS OF ANSI/TIA 568-C.3
3. 100% TESTED FOR OPTICAL PERFORMANCE, END FACE CRITERIA AND CLEANLINESS.
4. APPLICABLE TO MULTIMODE AND SINGLE-MODE.
5. CABLE ASSEMBLIES ARE MANUFACTURED TO C ENTERPRISES STANDARDS.
6. STANDARDS AND SPECIFICATIONS AVAILABLE UPON REQUEST.
7. FOR DRAWING CLARITY NOT ALL CONNECTORS DEPICTED.
8. C-BREAKOUT. DRAWING AVAILABLE UPON REQUEST.
9. LABEL LEG NUMBER. PLACED APPROX. 6 INCHES FROM CONNECTOR.

REV	ECR	DESCRIPTION	BY	DATE	CHECKED
A	-	INITIAL RELEASE	K.T.	05/23/2017	A.J.



MTP 24 FIBER TO LC CONNECTORS		
MTP POSITION	FIBER COLOR	LC CONNECTOR
ROW A		
1	BLUE	1B
2	ORANGE	2B
3	GREEN	3B
4	BROWN	4B
5	SLATE	5B
6	WHITE	6B
7	RED	7B
8	BLACK	8B
9	YELLOW	9B
10	VIOLET	10B
11	ROSE	11B
12	AQUA	12B
ROW B		
13	BLUE	1A
14	ORANGE	2A
15	GREEN	3A
16	BROWN	4A
17	SLATE	5A
18	WHITE	6A
19	RED	7A
20	BLACK	8A
21	YELLOW	9A
22	VIOLET	10A
23	ROSE	11A
24	AQUA	12A



DRAWN BY:	K. THOMAS	05/11/2017	 C-ENTERPRISES <i>Connecting Today's Infrastructures</i>	C ENTERPRISES 2445 CADES WAY VISTA CA 92081 760-599-5111	
APVD BY:	A. JENSEN	05/23/2017		TITLE: MTP 24 TO LC CXP HARNESS	
DIMENSIONS: METRIC [IMPERIAL]			SIZE	DWG. NO.	REV
PROPRIETARY AND CONFIDENTIAL THIS DOCUMENT CONTAINS PROPRIETARY INFORMATION OF C ENTERPRISES. NOT TO BE USED, COPIED, OR DISCLOSED WITHOUT WRITTEN PERMISSION. ALL RIGHTS RESERVED.			A	MTP24-LC_CXP	A
SCALE: NOT TO SCALE				SHEET 1 OF 1	