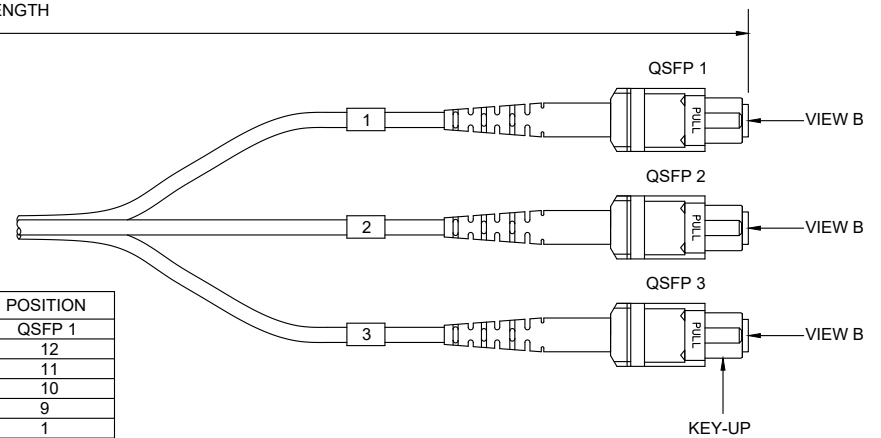
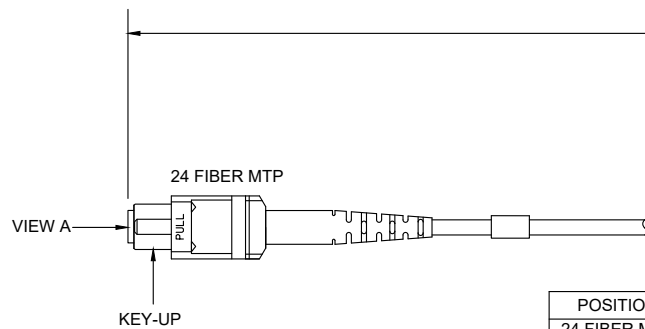


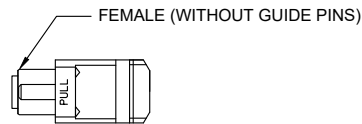
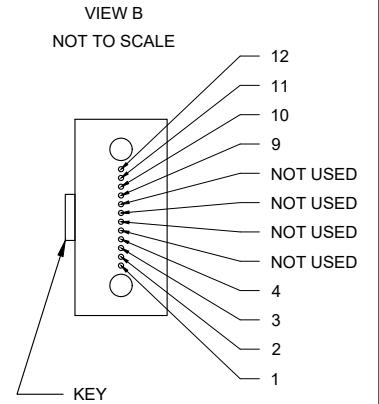
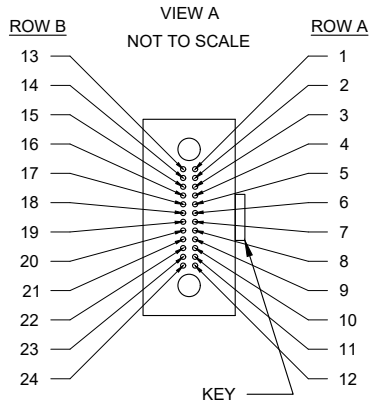
NOTES: UNLESS OTHERWISE SPECIFIED


1. MATERIALS AND COMPONENTS ARE RoHS/REACH COMPLIANT.
2. CONNECTORS MEET THE REQUIREMENTS OF ANSI/TIA 568-C.3
3. 100% TESTED FOR OPTICAL PERFORMANCE, END FACE CRITERIA AND CLEANLINESS.
4. APPLICABLE TO MULTIMODE AND SINGLE-MODE.
5. CABLE ASSEMBLIES ARE MANUFACTURED TO C ENTERPRISES STANDARDS.
6. STANDARDS AND SPECIFICATIONS AVAILABLE UPON REQUEST.

REV	ECR	DESCRIPTION	BY	DATE	CHECKED
A	-	INITIAL RELEASE	K.T.	11/09/2016	A.J.



POSITION	FIBER COLOR	POSITION
24 FIBER MTP		QSFP 1
1	BLUE	12
2	ORANGE	11
3	GREEN	10
4	BROWN	9
13	BLUE	1
14	ORANGE	2
15	GREEN	3
16	BROWN	4
		QSFP 2
5	SLATE	12
6	WHITE	11
7	RED	10
8	BLACK	9
17	SLATE	1
18	WHITE	2
19	RED	3
20	BLACK	4
		QSFP 3
9	YELLOW	12
10	PURPLE	11
11	ROSE	10
12	AQUA	9
21	YELLOW	1
22	PURPLE	2
23	ROSE	3
24	AQUA	4



DRAWN BY:	K. THOMAS	06/01/2016	 <b>C-ENTERPRISES</b> <i>Connecting Today's Infrastructures</i>	C ENTERPRISES 2445 CADES WAY VISTA CA 92081 760-599-5111
APVD BY:	A. JENSEN	11/09/2016		
DIMENSIONS: METRIC [IMPERIAL]			TITLE: MTP 24 TO MTP 12 QSFP WIRING	
PROPRIETARY AND CONFIDENTIAL			SIZE	DWG. NO.
THIS DOCUMENT CONTAINS PROPRIETARY INFORMATION OF C ENTERPRISES. NOT TO BE USED, COPIED, OR DISCLOSED WITHOUT WRITTEN PERMISSION. ALL RIGHTS RESERVED.			A	MTP-24QSFP-WIRING
			SCALE: NOT TO SCALE	
			SHEET 1 OF 1	