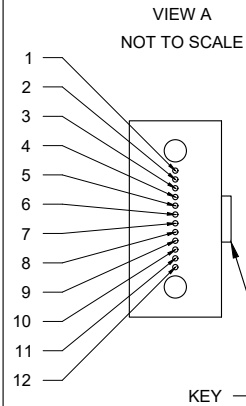
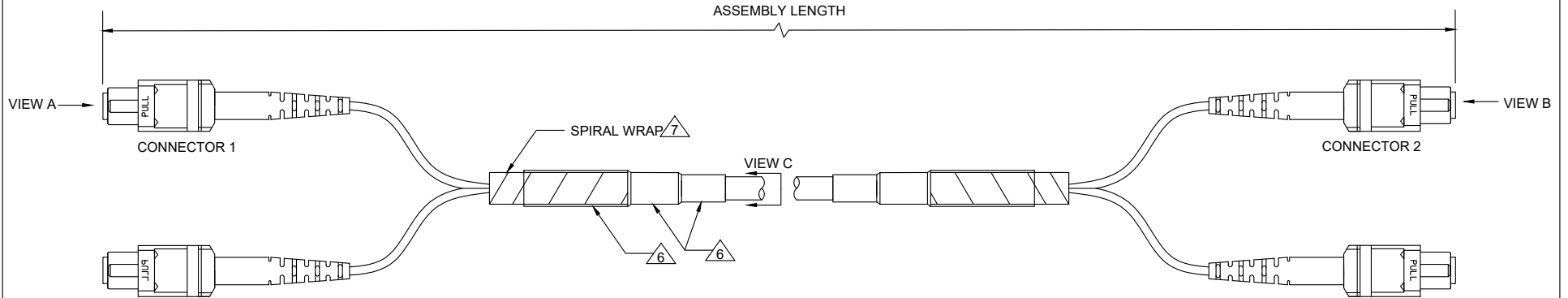


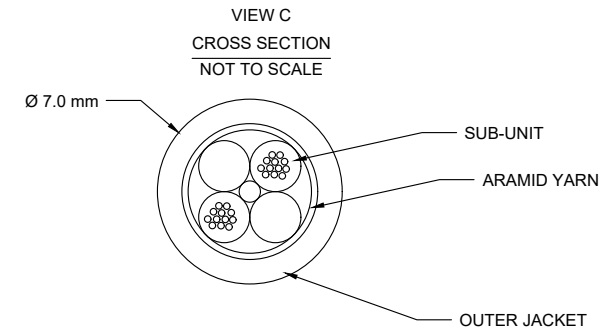
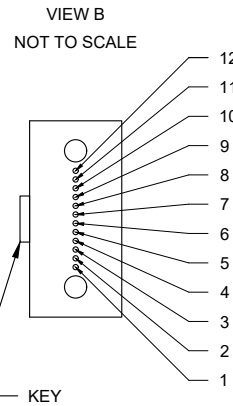
NOTES: UNLESS OTHERWISE SPECIFIED

1. MATERIALS AND COMPONENTS ARE RoHS/REACH COMPLIANT.
2. CONNECTORS MEET THE REQUIREMENTS OF ANSI/TIA 568-C.3
3. 100% TESTED FOR OPTICAL PERFORMANCE, END FACE CRITERIA AND CLEANLINESS.
4. CABLE ASSEMBLIES ARE MANUFACTURED TO C ENTERPRISES STANDARDS.
5. STANDARDS AND SPECIFICATIONS AVAILABLE UPON REQUEST.
6. HEAT SHRINK, 6 PLACES.
7. NON DIMENSIONED ITEMS ARE BEST FIT. 2 PLACES.
- 7.1 SPIRAL WRAP ADD FOR STRAIN RELIEF.

REV	ECR	DESCRIPTION	BY	DATE	CHECKED
A	-	INITIAL RELEASE	M. K	05/14/2018	A.J.



POLARITY TYPE B		
POSITION	FIBER COLOR	POSITION
CONNECTOR 1		CONNECTOR 2
1	BLUE	12
2	ORANGE	11
3	GREEN	10
4	BROWN	9
5	SLATE	8
6	WHITE	7
7	RED	6
8	BLACK	5
9	YELLOW	4
10	VIOLET	3
11	ROSE	2
12	AQUA	1



BILL OF MATERIALS		
ITEM	QTY	COMPONENT
3	1	MULTI-MODE TEST REPORT
2	AR	MULTI-MODE OM4 MIC 250um 24-FIBER OFNP CABLE; AQUA: CORNING GLASS & PRINT.
1	4	MTP-12 FEMALE MULTI-MODE PC POLISH; AQUA HOUSING, BLACK BOOT: CORNING.

MULTI-MODE TEST LIMITS AT 1300 nm			
MAX. I.L.	TYP. I.L.	MIN. R.L.	TYP. R.L.
≤0.75dB	0.20dB	N/A	N/A

DESCRIPTION: MTP-12 FEMALE PC POLISH / MTP-12 FEMALE PC POLISH x 24-FIBER MIC 250 um OFNP OM4 CABLE, POLARITY TYPE B.

DRAWN BY:	M. KHANFIR	05/14/2018
APVD BY:	A. JENSEN	05/14/2018



C ENTERPRISES
2445 CADES WAY
VISTA CA 92081
760-599-5111

DIMENSIONS: METRIC [IMPERIAL]
PROPRIETARY AND CONFIDENTIAL
THIS DOCUMENT CONTAINS PROPRIETARY INFORMATION OF C ENTERPRISES. NOT TO BE USED, COPIED, OR DISCLOSED WITHOUT WRITTEN PERMISSION. ALL RIGHTS RESERVED.

TITLE: MTP/MTP OM4 24-FIBER MIC 250um ASM		
SIZE	DWG. NO.	REV
A	HPPG24MTMTXRXTX	A
SCALE: NOT TO SCALE		SHEET 1 OF 1